

MICROH

PROFESSIONAL PRODUCTS

www.microhpro.com



USER MANUAL

LED PROFILE 120 WW/CW

Please read this user manual before using this product

Introduction

Thank you for purchasing the MICROH LED PROFILE 120 WW/CW fixture (WW & CW units sold separately). For your own safety and knowledge, please read this manual before installing or operating this device. This manual covers the important information on installation and applications. Please install and operate the fixture according to instructions. Meanwhile, please keep this manual for future reference.

Please carefully unpack it when you receive the fixture and check if it was damaged during transportation. Please check whether the following items are included in the box:

Item	Quantity
LED PROFILE 120 WW/CW	1
Gobo frame	1
DMX cable	1
User manual	1
Iris	1

Specifications

LED: Edison 100 Watt LED

Colour Temperature

LED PROFILE 120WW: 3200K Warm White – CRI >84

LED PROFILE 120CW: 5500K Cool White – CRI >84

LED Life: 50 000 Hours

Beam Angle Available: 19° Standard

(26°, 36° and 50° Degree optional lens available)

Optimal Output Distance: 60ft

DMX Channels: 2 Channels

Modes: Standalone and DMX

Cooling System: Auto Fan Speed Detection

XLR: 3 Pin Input & Output

Digital Display: LCD

Power: 100-240V 60Hz 200W 1.6A

Dimensions (L x W x H): 25.40" x 10.40" x 10.80"

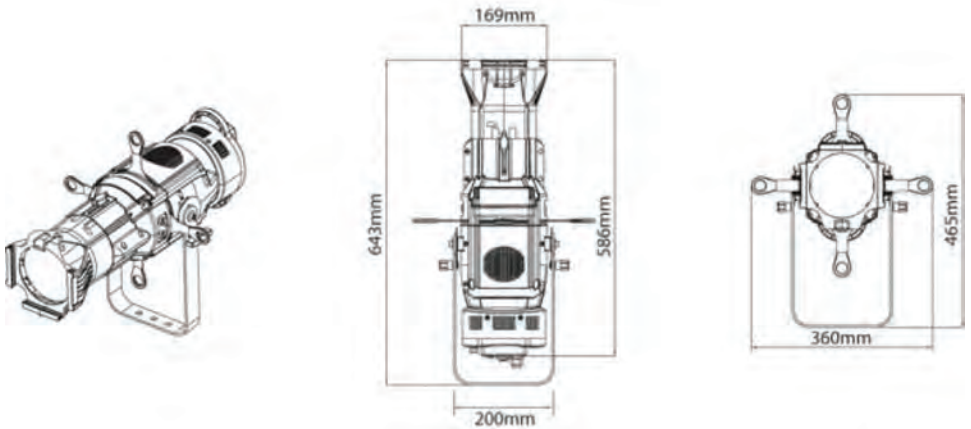
Weight 12.13 lbs

Profile

With the idea of energy saving and environment protection, the device use lower power loss and extremely high efficiency led. The device housing cover is made of used the new high strength heat resistance engineering plastics, with beautiful shape and smooth lines. The designing and manufacturing is in compliance with the IEC/QPS/CSA standard. The device is suitable in the large-scale theatrical performance, the theater, the performance hall, the bar, night club and so on.

The product conforms to the international standard DMX512 agreement completely, the device can be controlled in single, and also be controlled in many units.

Overview



Safety Warning

- Every person involved with the installation, operation and maintenance of this device must be qualified.
- User/installer must follow the instructions of this manual.
- Unqualified persons must not open the housing cover and operate the device, or the dealer will not accept liability for any resulting defects or problems.
- Protect the device against rain and moisture device with other electrical equipment.
- During move and installation, make sure the device is not stored with metal parts and other tough materials.
- Always disconnect from the main power sources. Do not install or dismantled when the device is powered on.
- The minimum distance between light output and the illuminated surface must be more than 50cm.
- The device must only be installed on a non-flammable surface. In order to safeguard sufficient ventilation, please leave 50cm of free space around the device. Note that heat-sensitive objects may be deformed or damaged by the emitted heat of this fixture.
- During operation, the housing may become very hot! Do not operate the device for 15 minutes after switching off.
- The maximum ambient temperature $T_a = 45^\circ$ (must never be exceeded). The maximum housing temperature $T_b = 80^\circ$ (must never be exceeded).
- This fixture is for indoor use.
- Replace any visible cracked protective shields, filters, and lenses.
- The protective shields, filters, and lenses will require weekly cleaning as smoke “fluid” tends to building up residues, reducing the light output very quickly.



CAUTION!

Never touch the device during operation!
The housing may heat up!



CAUTION!

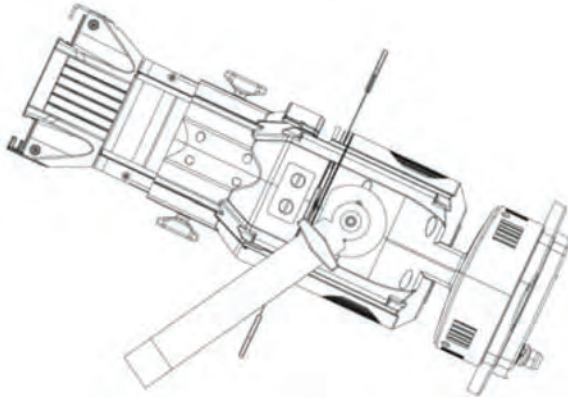
Never look directly into light source,
as sensitive persons may suffer from an epileptic shock.

Caution!

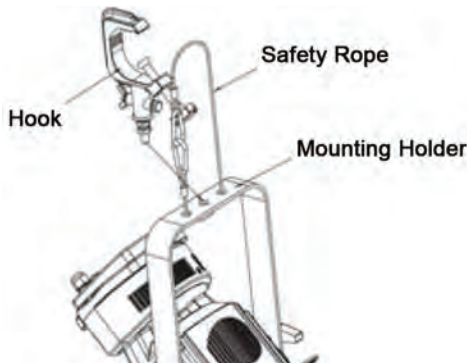
- Unqualified person involved with installation, operation and maintenance of this device is prohibited.
- If any of the above mentioned problems happen, or unknown problems happen, please contact manufacturer or distributor for assistance.

Installation

- During installation, keep the device far away from heat-sensitive objects and explosive-sensitive objects, leave at least 50cm of free space around the device.
- When the device is put on a horizontal area, the device must be placed directly on the area and must be secured with a mounting holder.



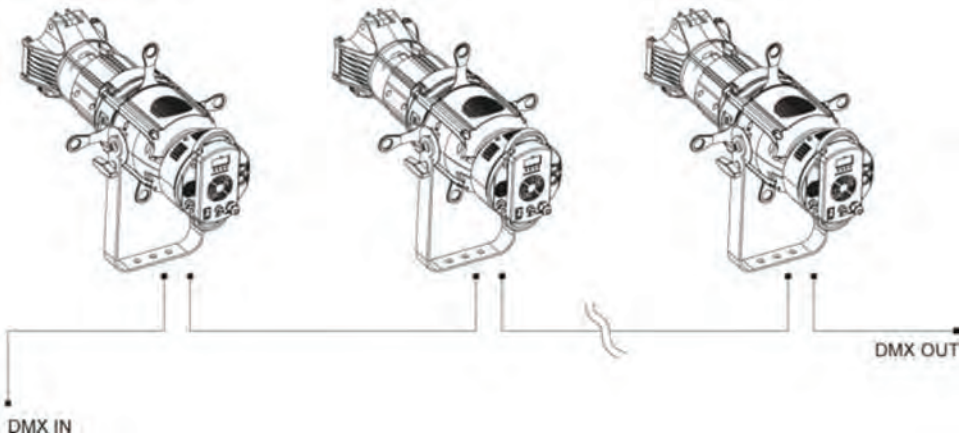
- When rigging the devices on the truss with the head face directed to the floor, Screw one clamp each via a M12 screw and nut onto the mounting holder. Insert the quick-lock fasteners of the first mounting holder into the respective holes on the bottom of the device. Tighten the quick-lock fasteners fully clockwise. Install the second mounting holder. The safety rope must be used at same time.



- Please use a qualified safety-rope, which can hold at least 10 times the weight of the fixture. You must only use safety-ropes with quick links with screw cap. Pull the safety rope through the hole on the bottom of the base and over the trussing system etc. Insert the end in the quick link and tighten the fixation screw. A safety rope which has already held the strain of a crash or has been deemed defective must not be used again.

DMX512 Connection

- Please use XLR-XLR wires connect the DMX output of the controller with the DMX input of the first device, and connect the DMX output of the first device with the DMX input of the second device, always connect one output with the input of the next device until all devices are connected.



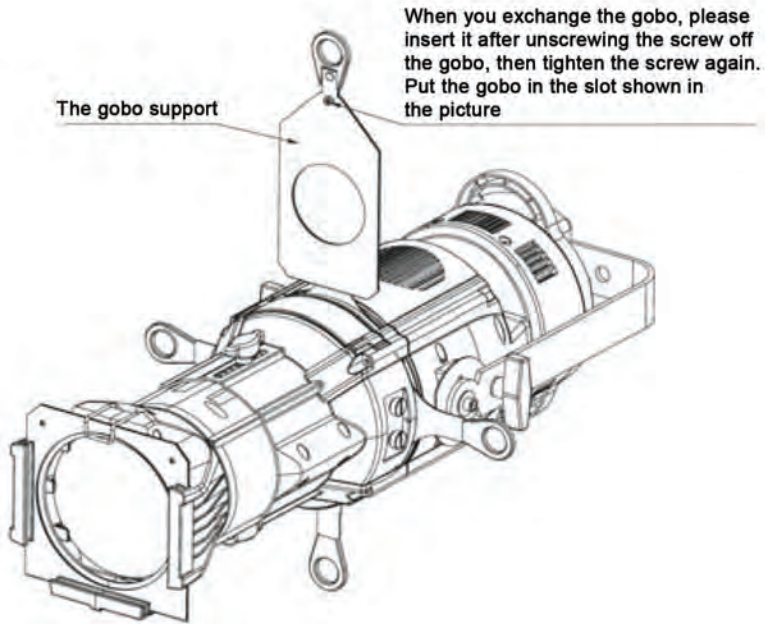
- Please use qualified XLR-XLR DMX cables.

Connection With Mains

- The person(s) involved with the power connection must be qualified, and have an electrical engineering certificate.
- Connect the device to the main power source with the power plug.
- The ground has to be connected.
- Power consumption 150W, input power supply AC 120V 60Hz.

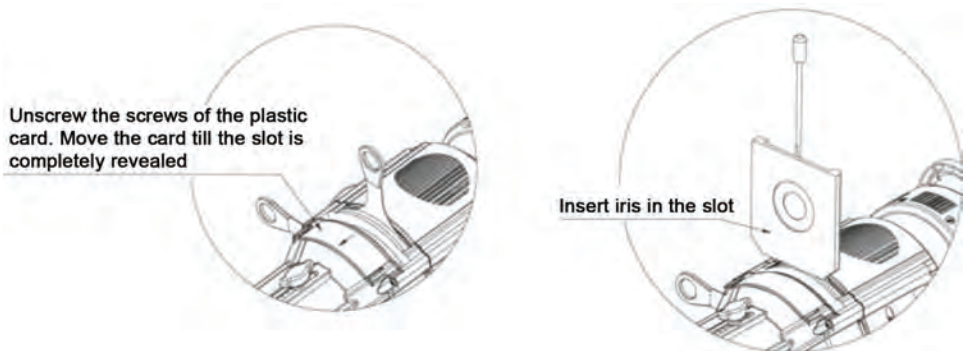
The Use of Gobo Frames

- Take out the gobo frame, loosen the screws, insert the gobos and lock the screws again.
- Insert the gobo frame in the slot.



Use Iris

- Loosen the screws and insert the iris.



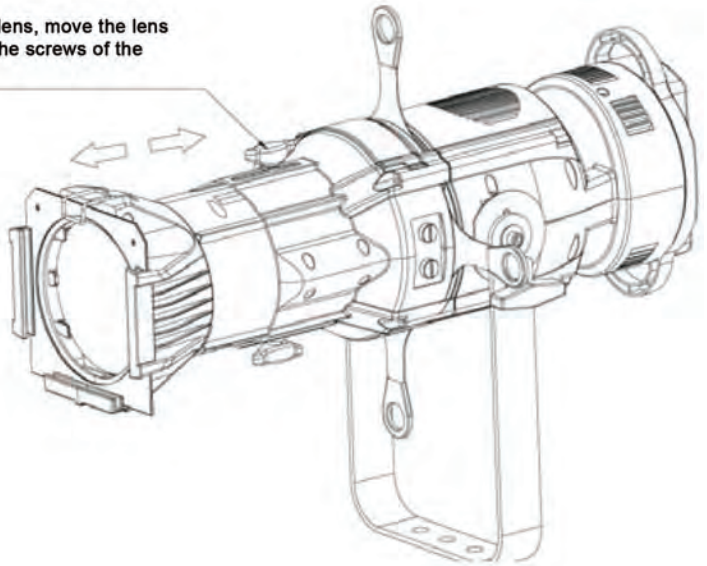
Replacing fuse

- Before replacing the fuse, unplug main power source lead.
- **Procedure:**
 - Step 1: Unscrew the fuse holder on the rear panel with a fitting screw driver from the housing (counter-clockwise).
 - Step 2: Remove the old fuse from the fuse holder.
 - Step 3: Install the new fuse in the fuse holder.
 - Step 4: Replace the fuse holder in the housing and fix it.

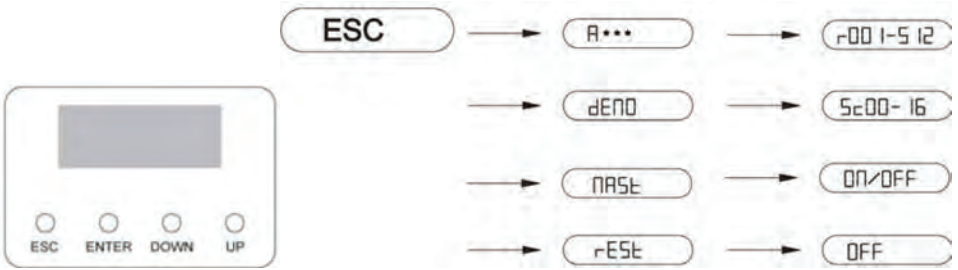
Focus

- The objective lens cylinder is usually shrunk before leaving the factory. Connect the projector to the main power source, user may loosen the screws and pull out the lens cylinder till the white light output is circular and clearly presented, Tightly lock the two screws again.
- When the projection distance has changed, users can follow previous operating steps, and refocus the projector.

Unscrew the screws of the lens, move the lens in perfect position, tighten the screws of the lens again



Operation



Basic Setting

- [Address 001] is the default setting, then switch on the device, the device display with show the message [R001].
- Presss [ENTER] key into and select [R001], Use the [UP] and [DOWN] keys to select required address l_rOO 1-5 121 and press to confirm or to cancel and return to the main menu. presss [ENTER] key to return and confirm.
- Presss [DOWN) key to select l_dEnOJ, presss [ENTER] key into lSc*•J. Use the [UP] and [DOWN] keys to select lScOO- 161 , press [ENTER] to return and confirm.
- Presss [DOWN] key to select l_nRS!:.l. presss [ENTER] key into and use the [UP] and [DOWN] keys to select [On/OFF], press [ESC] to return and confirm.
- Presss [DOWN] key to select l_rES8. presss [ENTER] key into and use the [UP] key to select [OFF] , press [ENTER] to return and confirm.

DMX Protocol

Channel	Value	Function
1	000-255	Dimmer intensity 0-100%
2	000	Shutter open
	001-127	Strobe effect (slow to fast)
	128-159	Sudden effect (slow to fast)
	160-191	Pulse effect (slow to fast)
	192-255	Random effect (slow to fast)

Problem and Solution

Problem	Reason	Resolution
Device not functioning	No power	AC 120V, 60Hz Check the power connection, and make sure device connect the mains Device not work No power in well condition. Check if switch is on Check if the fuse is good
LED Bulb is off	LED bulb damage	Replace LED bulb
	LED driver board damage	Replace LED driver board
	Temperature switch damage	Replace temperature switch
Fans not functioning	Fan damage	Replace fans

Cleaning and Maintenance



CAUTION!

Take care using this equipment! High voltage risk of electric shock!

Disconnect from main power before starting maintenance operation!

The cleaning of internal and external optical lenses and/or mirrors must be carried out periodically to optimize light output. Cleaning frequency depends on the environment in which the fixture operates: damp, smoky or particularly dirty surrounding can cause greater accumulation of dirt on the unit's optics.

1. Clean with soft cloth using normal glass cleaning fluid.
2. Always dry the parts carefully.
3. Clean the external optics at least every 20 days. Clean the internal optics at least every 30/60 days.

PLEASE NOTE:

All information for this product is subject to change without notice!

MICROH
PROFESSIONAL PRODUCTS

For more information please contact:

www.microhpro.com
@microhpro.com
905.428.9062