

# **MICROH**

**PROFESSIONAL PRODUCTS**

[www.microhpro.com](http://www.microhpro.com)



## **USER MANUAL**

# **LED PANEL & LED PANEL/C**

## LED PANEL/C CONTROLLER

The LED PANEL/C can be controlled by DMX 512 console. Our LED Panel changing combined with the controller makes colourfull and dynamic light effects.

### A: Specification:

1. Weight: 1.14 kg
2. Size: 210×125.2×44.2(mm)
3. Standalone/DMX-512
4. Power input: DC9V-12V/500 mA
5. 4-pin female connector for signal output
6. 3-pin connector for DMX512 connection
7. 4 DMX channels

### B:MODE/SETUP/UP/DOWN four function sets

1. Press "MODE" button to adjust accordingly  
BLACK, STATIC RED, STATIC GREEN, STATIC YELLOW, STATIC BLUE, STATIC PURPLE, STATIC CYAN, STATIC WHITE, COLOR CHANGE, SLOW FLOW 1, SLOW FLOW 2, ROLL CHASE 1, ROLL CHASE 2, MULIT COLOR, FAST FLOW 1, FAST FLOW 2, 2 COLOR CHASE, 2 COLOR FLOW, COLOR FADE, AUTO RUN, SYSTEM MODE

2. Press "SETUP" button to adjust accordingly

R××G××B×× Select "R" "G" "B" Dimming by pressing "UP" "DOWN" key.

RUN SPEED: 1-100

FLASH FREQ: 1-100

COLOR SORT: select 2 COLOR FLOW or 2 COLOR CHASE (range: 0-20)

UNIT TIMES: running times for each type of display under auto-run mode

SET ADDRESS: [YES] : Set the qty of Led Panels connected the controller

3. UP: plus parameter

4. Down: minus parameter

5. DMX mode: In DMX mode the units uses 4 channels. Set the start address from 1-512 by pressing "UP" or "DOWN" button.

### DMX Channel Assignment

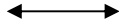
CH1: Value 0-11 This will activate CH2(RED), Ch3(Green), Ch4(Blue) to be RGB.

The CH2 control output for Red dimmer;

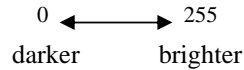
0 ←————→ 255  
darker            brighter

The CH2 control output for Green dimmer;

0                    255  
darker            brighter



The CH2 control output for Blue dimmer:



2: CH1 Value (12-255) can control 20 different types of displays as below ;

11-23: BLACK	132-143: SLOW FLOW 2
24-35: RED	144-155: ROLL CHASE 1
36-47: GREEN	156-167: ROLL CHASE 2
48-59: YELLOW	168-179: MULTI COLOR
60-71: BLUE	180-191: FAST FLOW 1
72-83: PURPLE	192-203: FAST FLOW 2
84-95: CYAN	204-215: 2 COLOR CHASE
96-107: WHITE	216-227: 2 COLOR FLOW
108-119: COLOR CHANGE	228-239: COLOR FADE
120-131: SLOW FLOW	240-255: AUTO RUN

In this mode:

CH2 (0-255) controls speed

0: 1 step/min                  255: 100 steps/sec

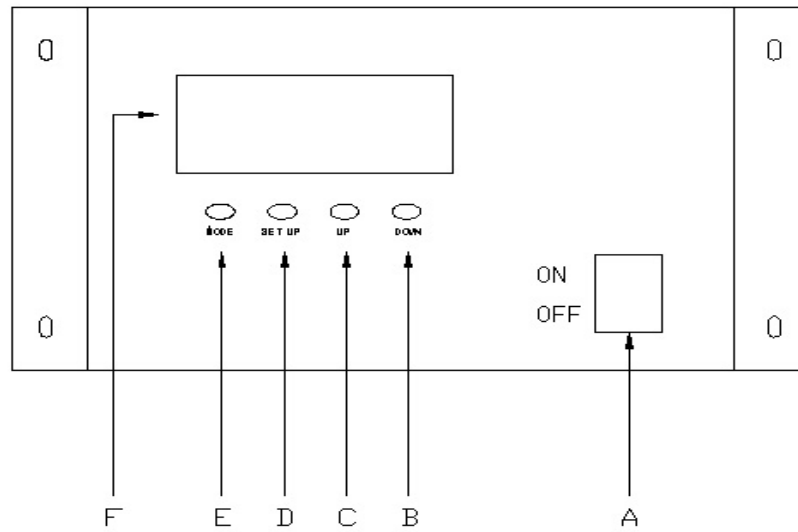
CH3 (0-255) controls flash frequency

0: 1 Hz                  255: 20 Hz

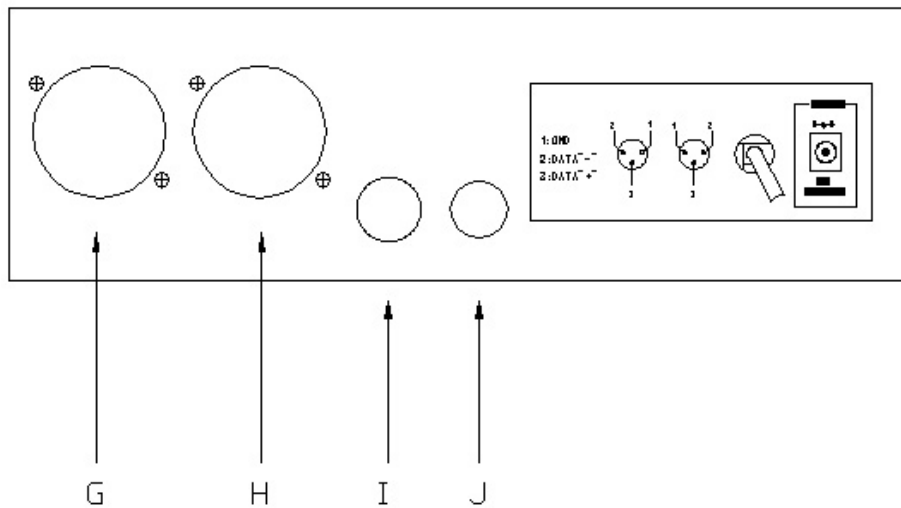
CH4 (0-255) selects " 2 coloUr flow" or " 2 colour chase "

0-11: red + green	132-143: yellow + blue
12-23:red+ yellow	144-155: yellow+ purple
24-35: red + blue	156-167: yellow +cyan
36-47: red+ purple	168-179: yellow + white
48-59: red+ cyan	180-191: blue+ purple
60-71: red+ white	192-203: blue + cyan
72-83: green+ yellow	204-215: blue+ white
84-95: green + blue	216-227: purple+ cyan
96-107:green+ purple	228-239: purple+ white
108-119: green+ cyan	240-255: cyan+ white
120-131: green+ white	

## Front Plate



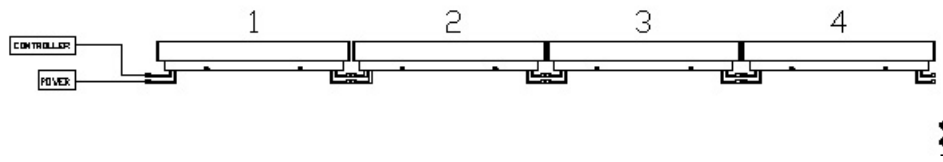
## Rear plant



- A) Power switch
- B) - Minus
- C) + Plus
- D) Function set
- E) Selectable display mode
- F) LCD screen
- G) DMX512 signal output
- H) DMX512 signal input
- I) Color-changing tube/ wall light signal output

J) Power input (DC 9V- 12V)

**D:Electrical Connection diagram**



Plug----2pin female plug spigot

Description:

1. Connect the first color-changing Panel with LED PANEL/C controller signal connector and put it through, the following LED Panel are to be connected with power supply in order;
2. The signal amplifier must be used every other 60 pcs as the controller can control up to 60pcs.