
MICROH
PROFESSIONAL PRODUCTS

CYCLOPS-NXT

USER MANUAL

Product Instructions

Thank you for choosing our professional one armed moving head

- This user guide includes very important information to guarantee the safe and proper use of the light, please read it carefully and operate according to the instructions.
- CYCLOPS-NXT Moving Head applies advanced design, processing technique, new high intensity high temperature resistant injected plastics. The CYCLOPS-NXT uses a super-translucent lens and CDM-T150W lamp, to create accurate, bright and sharp beam. The Unit features, 8 rotating gobos and 11 colours plus rainbow effect, LED display to control DMX channel addressing and function selection, Auto position reset and over-heat protection; Pan angle 540 degree and Tilt 270 degree; Strobe 1-11 times per second..

Specifications

- Voltage: AC120V
- Frequency: 60HZ
- Power: 150W (150W lamp)
- Lamp specification: CDM-SAT150
- Repellence intensity: 1.5KV
- Insulated resistance: >2MΩ
- Channel: 9 channels
- Control signal: international standard DMX512 signal
- Control pattern: controller
- Color effect: 11 colors plus white, with rainbow effect
- Gobo effect: 7 gobos plus white, with streaming, rotating effect.
- Strobe: 1-11 times per second
- Reset: reset by controller
- Correction: self-correction

Specifications

- Master and slave
- Sound activation: sound activated
- Location: adjust lamp focus by location
- Directional: reverse or obverse direction of x axis and y axis selectable
- Beam angle: 17 degree
- Scan angle: pan 540 degree and tilt 270 degree
- Size: 35cm×28.5cm×49.5cm
- Net weight: 11kg
- Other: self-examination, digital display

○ Safety instruction



Avoid the electric shock!



The lamp is high hot!

- Please consult eligible persons before maintenance
- Please make sure the power supply has been cut off during installation, maintenance, and transportation.
- Please do not use power supply and lamps of different specifications.
- During operation, the high temperature the light creates might lead to danger, therefore please don't put any inflammable and explosive things around the light, and please don't touch the light body during operation.
- Make sure there is more than 1 meter between the light and the irradiated objects.
- In order to avoid harming your eyes, please do not look at the light beam directly

○ Packing List

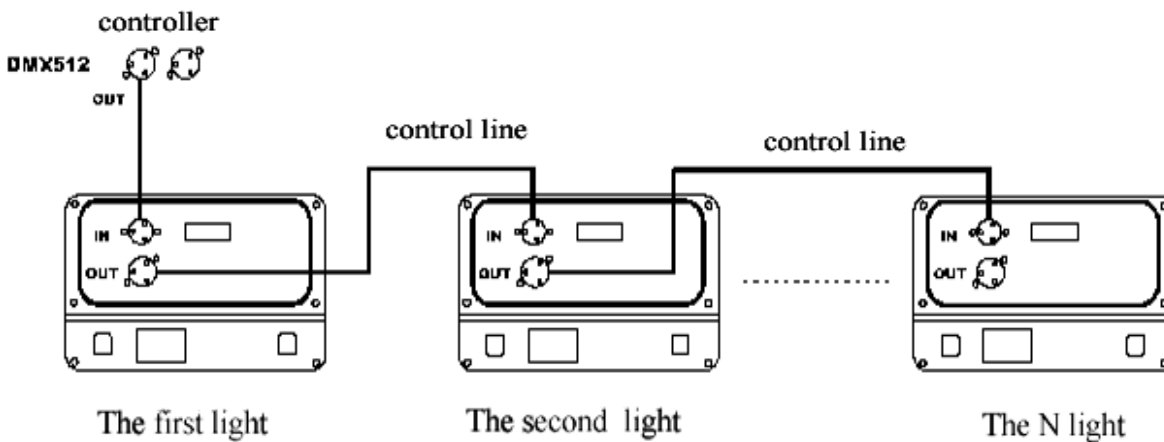
- CYCLOPS-NXT light body (1PCS)
- The user manual (1PCS)

○ Installation Instruction

- The product is suitable for indoor use only; operation temperature is below 35 degree.
- The installation, operation and maintenance persons must get familiar with the light performance before operation, so that to avoid damage to the machine.
- Please check if there is any damage during transportation before first usage.
- Before changing the bulb, please make sure the electric power is cut off and the lamp is cooled off. (Bulb temperature can reach above 200 degree.)
- Push the maintenance cover, open the small bulb lid, encase the bulb, please note to put the air bulb side up, please don't touch the bulb by hand.
- Cover the small lid.
- Install the product in well ventilated places and please note to check whether the fan and the fan net are unimpeded or not.
- Connect the bicolor line (yellow and green) to the ground.
- CYCLOPS-NXT moving head uses 3A/250V fuse, please use the fuse of same specification.

○ Operation guide

- CYCLOPS-NXT uses the LED display to control DMX address set-up.
- CYCLOPS-NXT Moving Head adopts international standard DMX-512 signal, multiple lights can be controlled by the console via address code setting (the details are listed in Appendix 3)



- The original address code set-up before the products the factory: patterns and colors with streamline and iris, X,Y axis is the positive direction
- Use the XLR-XLR cable from the signal output port of the console to connect the signal input port of the first light, connect the signal output port of the first light with the signal input port of the second light, and so on, until all lights are connected. Then connect the terminal plug with the signal output port of the last light. (Figure Appendix 1)

Warning: Please remember the signal output of the last light should be connected with the terminal plug. This plug add a resistance around 120Ω between 2nd and 3rd pin of XLR plug. Use this plug could effectively avoid the signal reflection created during DMX512 signal transmission.

- CYCLOPS-NXT Moving Head Light uses 3 core XLR outlet(plug). A transfer line from 5 core to 3 core will be needed if the controller you use is 5 core outlet (plug). (Please refer to Appendix 2)
- CDMSAT150W lamp is discharge lamp, it is fully illuminated about 5-10 minutes after power is on. In the meantime, please restart about 10 minutes after power is off.
- When power is on, the equipment will undertake self-examination, and can undertake operation after the self-examination is finished.
- Please don't shake the equipment during operation.

○ Control Channel

CYCLOPS-NXT Moving Head Light adopts international standard DMX512 signal. There are 9 control channels and the detailed information of control is as follow:

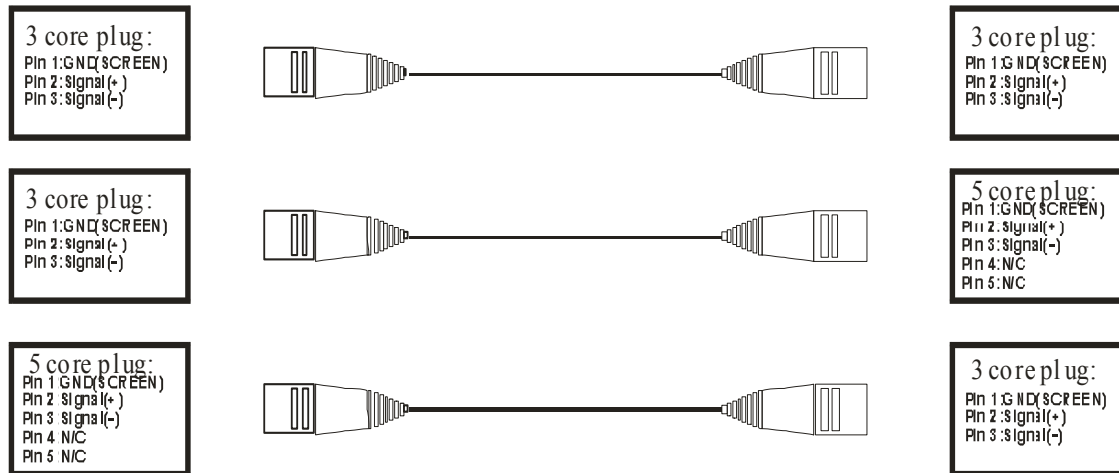
● Table of 9 control channels

Channel		0 – 255	Control content
1	Pan scan	0 – 255	0 – 255, pan 0-540 ⁰ scan from slow to quick
2	X axis 16 Bit	0 – 255	0 – 255 adjust speed from slowly to fast
3	Tilt scan	0 – 255	0 – 255, tilt 0-270 ⁰ scan
4	Y axis 16 Bit	0 – 255	0 – 255 adjust speed from slowly to fast
5	Strobe	0 – 255	0-17 off, 8-118 on □ 119-160 from slow to fast, 161-244 flash randomly □ 245-255 light on
6	Color + streamline	0 – 255	0-11 colors + white
7	Gobo + streamline	0 – 255	0 – 255 adjust speed from slowly to fast
8	Gobo self-rotating	0 – 255	0 – 255 adjust speed from slowly to fast
9	Reset by controller	0 – 255	0 – 255 whole unit reset

Appendix2:

The transformation between 3 core and 5 core XLR control outlet (plug)

The following figure is the connecting method of 3 core and 5 core XLR control outlet (plug)



DMX512 signal circuit:

Pin 1 = screen Pin 2 = signal- Pin 3 = signal+

9 control channels of CYCLOPS-NXT Moving Head Light: (Appendix 3)

Appendix 4: The following figure is function setting of CYCLOPS-NXT



M means menu □ the menu must be opened before setting; C means cancel □ the menu must be cancelled after the setting is finished



This is the confirm key, it will be used in every function

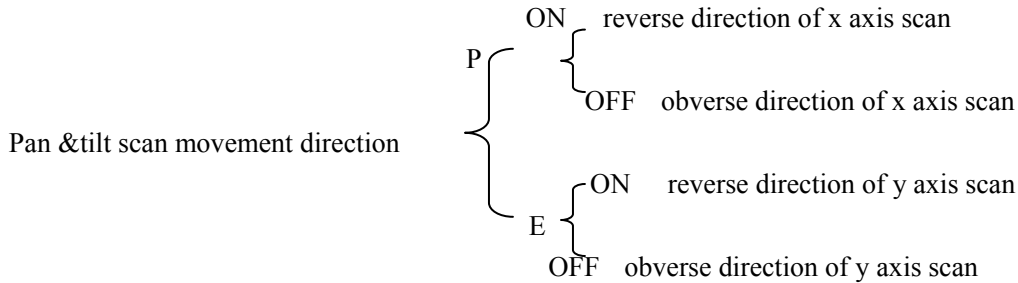


UP key



DOWN key

Remark: The digital codes of Moving Head Light □



Control by controller R 001

DMX 512 signal control

