

# MICROH ARENA COLISEUM 1200

Arena Coliseum is a luminaire to be used particularly in TV studios, theatres, discos and at concerts. Following instructions suggest how to get optimum efficiency from it for many years.

**IMPORTANT! READ CAREFULLY THE INSTRUCTION LEAFLET IN ALL ITS PARAGRAPHS: THE KNOWLEDGE OF THE INFORMATION HELD IN IT ENSURES A CORRECT AND SAFE USAGE OF THIS PRODUCT.**

## 1. Installation

### Unpacking

Open the cardboard box, take out the followspot and put it on a horizontal surface. Unpack all the components supplied as standard items.

- 1 ARENA COLISEUM FOLLOWSPOT
- 4 SHUTTERS
- 1 INSTRUCTION LEAFLET
- 1 DICHROIC COLOUR CHANGER

Find on the followspot cover the label (A) lamp replacement. Make sure that this label has not been removed, as it contains some important safety information.

### Lamp Installation

Please refer to the instructions for the lamp replacement, paragraph 3 MAINTENANCE.

### Balancing

Arena Colliseum is already optimally balanced, but in case you need to re-balance it, please follow these instructions:

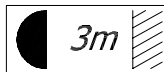
- tighten the knob that guides the vertical movement
- loosen the clamping screws of the slide that is between the lower part of the fixture and the bracket.
- Let the fixture move on the adjustment slide until it reaches the desired balance point.
- Tighten the clamping screws.

### Lantern Fixing on Stand

The lantern must be fixed exclusively on a stand through an opposite hole in the stirrup. We suggest to use a spigot (OPTIONAL) with a M12 clamping screw.

### Minimum distance from lit objects

The projector must be positioned in a way that the lit objects are at least 4m. distant from the projector.



Minimum distance from inflammable surfaces: 0.5m.

Important:

For a better and reliable functioning, room temperature cannot be higher than 35°C.

Protection degree IP20: this projector is protected against the penetration of solid objects with diameter higher than 12mm (first number 2), whereas it cannot stand dripping, rain and water splashes (second number 0).

## 2. Power Supply and Setting Up

### Electrical Connection

The projector must be connected to the power supply by using the standard socket supplied with the lantern.

Make sure that the voltage, frequency and power conform with what is specified on the label on the rear of the fixture (see technical data).

It is compulsory to connect the lantern to a perfectly earthed current supply installation (device I class).

### Select Switches

Arena Coliseum has 2 select switches which are in the rear part of the lantern.

- the green switch selects the partial working, that's to say 50% of the total power

- the red switch signals the net voltage and switches on or off the projector.

### Dichroic Colour Changer

The colour-changer has three basic colours yellow, magenta and cyan and three secondary colours:

Basic colours	Secondary colours
Yellow + magenta	Red
Yellow + cyan	Green
Magenta + cyan	Blue

## 3. Maintenance

### IMPORTANT:

BEFORE ANY ACTION SWITCH OFF THE POWER SUPPLY.

Maximum temperature of the projector external surface is 100°C in normal thermic conditions. After switching off the lantern, do not move any component for 5 minutes, as described on the lamp replacement label (A). After these 5 minutes it is impossible that the lamp explodes. If it is necessary to replace the lamp, wait for further 15 minutes in order to avoid possible burns. The lantern has been designed in such a way as to hold incidental splinters of an exploded lamp. For the same reason, the lenses must be replaced with original spares, if clearly damaged.

### Lamp Replacement

To change the lamp act as follows:

- Open the upper cover by pressing the trip closure located in the rear part of the projector.
- Open the lamellar barndoor by unscrewing the knob located on the final part of the projector and take it out.
- Align the lamp and put it in the lampholder.
- Re-position the barndoor and screw in the knob (if the barndoor is not in position you cannot switch on the projector).
- Let the upper cover slide and close the rear trip closure.

### IMPORTANT:

THE LANTERN IS FITTED WITH A HIGH PRESSURE LAMP WITH EXTERNAL IGNITION.

- READ CAREFULLY THE INSTRUCTIONS SUPPLIED FROM THE LAMP PRODUCING COMPANY.

IMMEDIATELY REPLACE THE LAMP IF DAMAGED OR DEFORMED BY HEATING.

### Fuses Replacement

To replace the fuses act as follows:

- Take out the fuse carrier case integrated in the binding-clamp and replace the damaged fuse with a new one of the same type as described on the label (A) on the rear part of the projector. Re-insert the fuse carrier case till you get the click and screw in the rear cover.

### Periodical Cleaning

To keep unchanged the light output of your lantern it is necessary to make a periodical cleaning of the parts subject to dust and dirt. Keeping to following instructions you will get a perfect functioning for a long time. To remove dirt from lenses and filters use a soft cloth and any liquid detergent normally used for cleaning glass.

**BE CAREFUL: DO NOT USE ANY SOLVENT OR ALCOHOL.**

We suggest also a general cleaning of the inner parts once a year, removing dust with a brush and drawing in it with a normal vacuum cleaner.

# MICROH ARENA COLISEUM 1200

## Malfunctions Identification

Fault	Possible causes	Checks and corrective actions
Projector does not switch on	Damaged fuse	Replace the fuse
	No mains supply	Check the power supply
	Lamp exhausted or faulty	Change lamp
Faulty projection	Lenses broken	Contact authorised technician
	Accumulated dust or grease	Clean
Reduced light output	Lamp exhausted or faulty	Change lamp
	Accumulated dust or grease	Clean
Projection with halo effect	Mirror and/or lens unit dirty	Clean

## 4. Technical Data

### Electrical and Mechanic Characteristics

#### • Power Supply

- 220 – 240V 50Hz

#### • Lamp

- metal iodides, wit a special embodied feeder
- MSR 1200W
- Colour temperature 5600 K
- Lumen flux 110.000 lumen
- socket G22
- average life time 750

#### • Built-in Power Factor Correction

- 140µF 250V

#### • Absorbed Power

- 1750VA a 230V 50Hz

### Optical System

#### • Optical set

- anti-reflecting multistratum treatment
- double lens condensor
- spherical mirror with high light output

#### • Off-set Angle

- standard:10°/18°

### Structural Characteristics

#### • Safety devices

- automatic power supply breaking in the cover opening

#### • Cooling

- forced ventilation by means of an axial fan

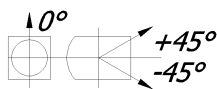
#### • Housing

- in extruded aluminium and steel sheets painted with epoxidic powders

#### • Stand

- in steel painted with epoxidic powders
- adjustable balance
- self-centring effect
- adjustable on 90°.

#### • Working Position



- working between -45°/+45°

#### • Dimensions and Weight

- mm 957 x 215 x 376
- Kg. 35

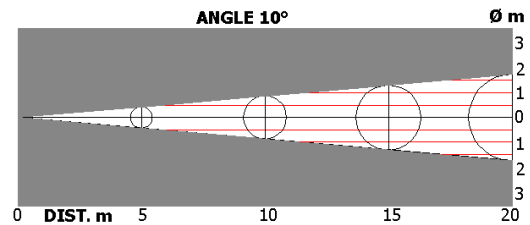
In order to improve constantly the production quality, MICROH reserves the right to modify without prior notice the features mentioned in this issue, which have therefore no binding character.

The CE products to which this leaflet refers comply with EEC norms concerning:

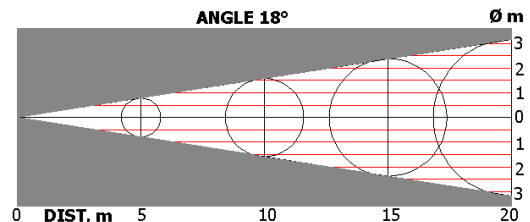
- Low voltage 73/23
- Electromagnetic compatibility 89/336

## 5. Photometric Data (real values)

test made with a PHILIPS lamp

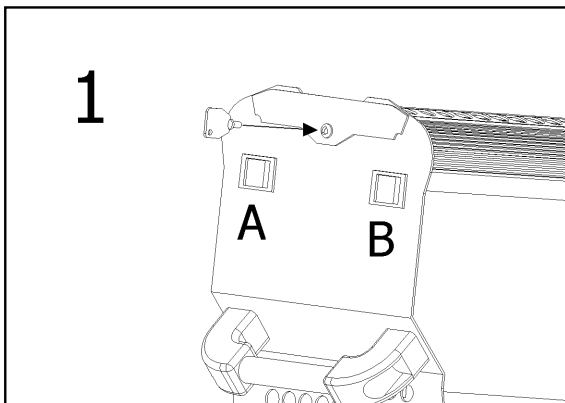


Ø (cm)	87.5	175	262.5	350
INT.(lux)	23.200	11.600	2.578	1450
DIST.(m)	5	10	15	20



Ø (cm)	158.5	317	475	635
INT.(lux)	8.250	2.063	920	520
DIST.(m)	5	10	15	20

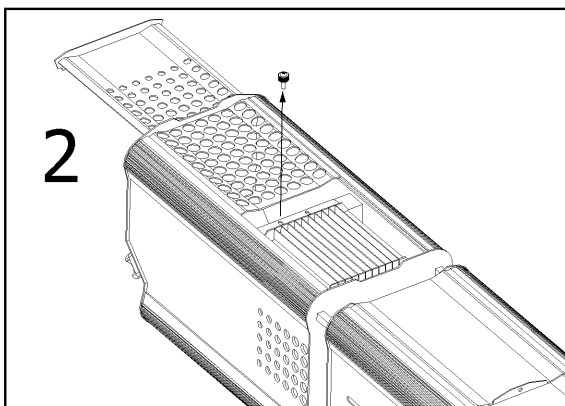
# MICROH ARENA COLISEUM 1200



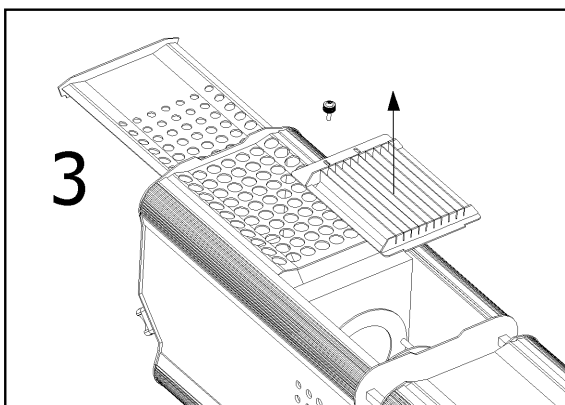
Unlock the top cover with the supplied key.

NOTE:

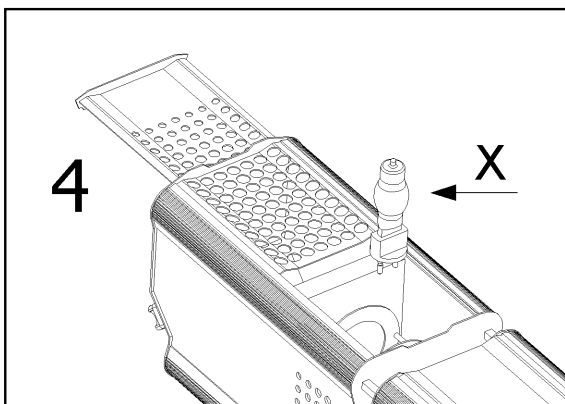
Only for Arena Coliseum: the switch A is for on-off operation while the switch B puts the luminaire at half power for stand-by operation.



Pull back the top cover and unscrew the safety nut that locks the ventilation grid.

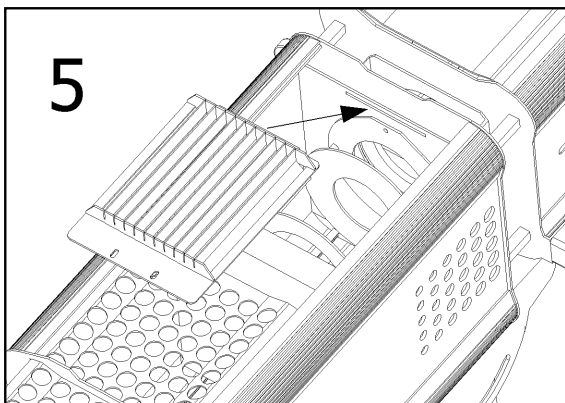


Pull out the grid.

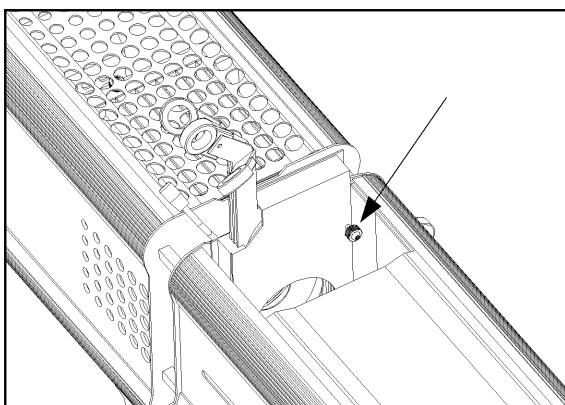


Gently pull out the lamp.

# MICROH ARENA COLISEUM 1200



Reassembling the parts perform the operation above in reverse order.  
Remounting the ventilation grid, be sure that the reference lip goes into the slot .

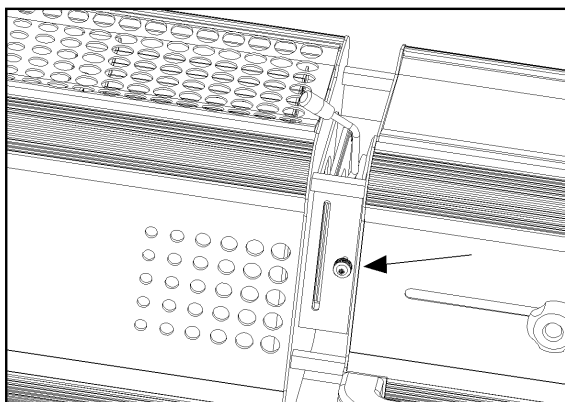


Unlock the safety screw before extracting the filters.

**WARNING:**

Filters can be used one by one or matched in order to get 7 different colours as stated in the following

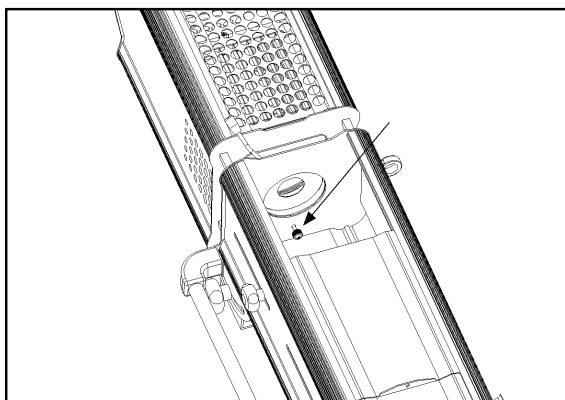
No filter	colour white
Yellow filter	colour yellow
Magenta filter	colour magenta
Cyan filter	colour cyan
Yellow + cyan filters	colour green
Yellow + magenta filters	colour red
Magenta + cyan filters	colour blue



Unlock the safety screw before extracting the iris.

**WARNING:**

When the iris is in its place it is very important to lock the safety screw so the optical system is correctly aligned.



Unlock the screw marked in the drawing before rotating the shutters block. Lock it again when the shutters block is in its place.